



### Features and Benefits

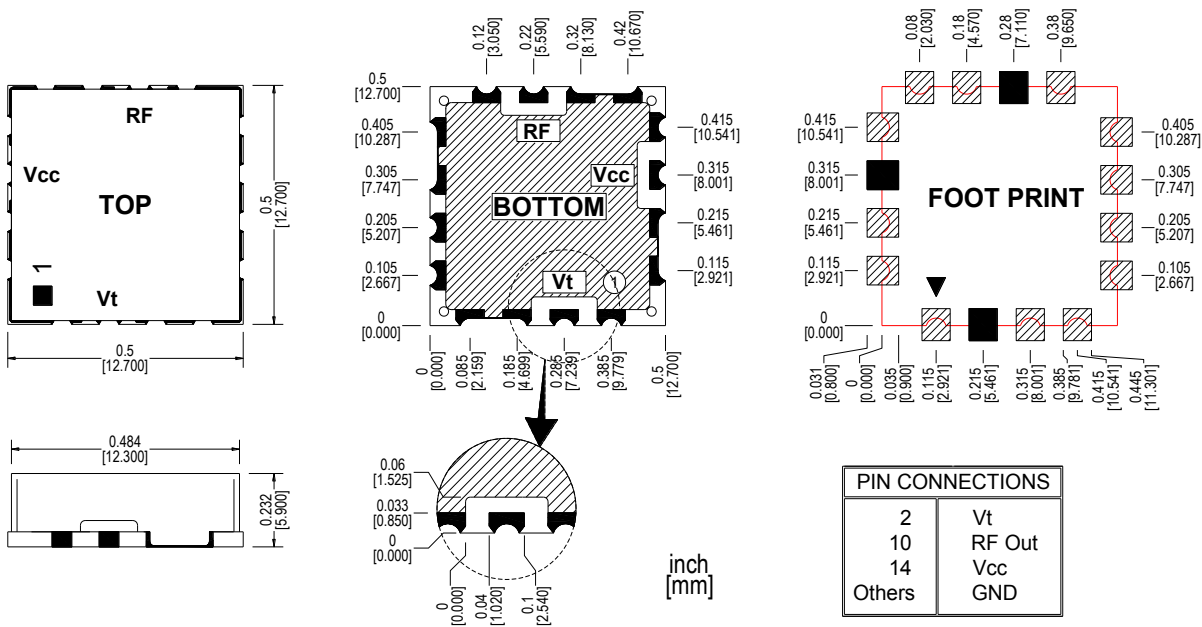
Frequency Range:1390-1410MHz  
 Supply Voltage:8.0V  
 Current: 50mA Max.  
 Output power: 7dBm Typ.  
 Tuning Voltage: 0-12V  
 Phase noise: -120dBc/Hz@10KHz  
 Operating temperature: -40°C--+85°C  
 Size:12.7x12.7x5.9mm

### Typical Applications

SATCOM  
 Receiver  
 Test Equipment  
 Radar  
 Point-to-Point  
 Radio  
 MMDS  
 WiMax

### Mechanical Drawing & Pin Connections

Drawing No: MD140084-2





### Specifications

Parameter	Units	Min.	Typical	Max.
Operating Frequency Range	MHz	1390		1410
Power Supply (Vcc)	Voltage		+8.0	
	Current	mA		50
Output Power	dBm	4.0	7.0	10.0
Output Impedance	Ω		50	
Phase Noise @10kHz offset	dBc / Hz		-120	-115
Phase Noise @100kHz offset	dBc / Hz		-140	
Tuning Voltage (Vt)	V	+0.0		+12.0
Tuning Voltage Sensitivity (Kv)	MHz / V		4-5	
2nd Harmonic Suppression	dBc			-15
Pushing Figure	MHz / V			1
Pulling Figure (14dB RL, all phases)	MHz			1
Input Capacitance	pF		68	
Operating Temperature Range	°C	-40		+85